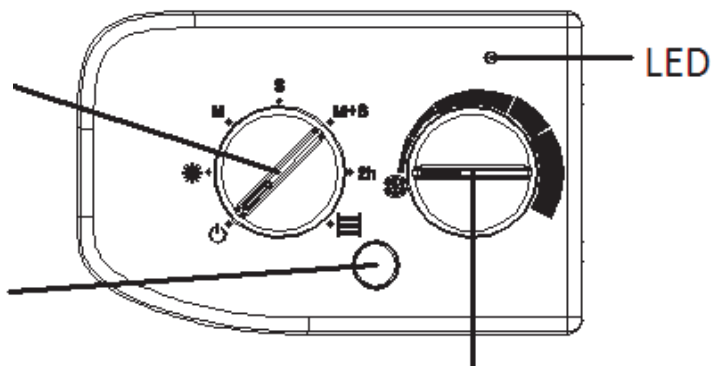


FUNCTION
SECTION
KNOB

BUTTON



TEMPERATURE CONTROL KNOB

LED	Description
Fast orange flash	Sensor fault
Fast red flash	Ambient temperature = 35°C

SET-UP OF THE DEVICE

When you connect the control unit to the power supply, no warning light turns on.

COMFORT FUNCTION

The "comfort" temperature corresponds to the user's desired ambient temperature.

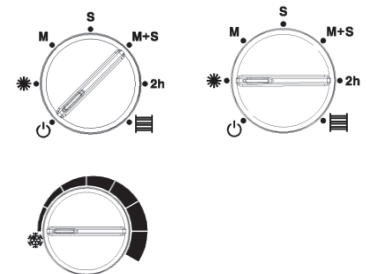
Starting from the stand-by, turn the function control knob until brought to comfort. The device emit a short beep.

The green or red LED will activate, depending on the temperature set.

In this function you can adjust the ambient temperature in a range that varies from 7 to 32°C. This adjustment is made using the temperature control knob. Turning the knob clockwise increases the desired temperature, turning it anti-clockwise decreases it.

If the ambient temperature is lower than that set on the device, it will activate the red LED, the towel warmer is heating. With the green light, the ambient temperature is higher than the desired temperature and therefore does not heat.

After a few hours, the temperature stabilizes; if necessary, adjust the temperature by increasing or decreasing the set value. If the set temperature is the temperature that you wanted to (if necessary, check the ambient temperature with a thermometer), keep this setting as the definitive one. If you are not satisfied with the temperature, re-adjust it.



PILOT WIRE FUNCTION Specific for the French market

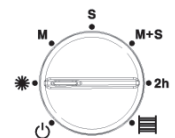
The device is programmable. For this function, it is necessary to have a centralized programmer that will be connected to the pilot wire of the device (black wire). The programmer must provide corresponding commands to the standard GIFAM (=French Inter-professional Grouping of Household Appliance Manufacturers).

The programming control unit must be able to give the following information:

- Comfort: no signal
- ECO = lowering by $3.5^{\circ} \pm 0.5$ K, signal: full wave
- ANTI-FROST at $7^{\circ} \pm 3^{\circ}\text{C}$, negative half wave
- Stop, Signal: positive half wave

All these commands are programmable by the user on the control unit (refer to the manual for settings)

- The commands transmitted from the programmer through the pilot wire are recognized by the thermostat, located in "comfort" mode.
- The device has two additional commands: comfort -1°C (comfort temperature decreased by 1°C) and comfort -2°C (comfort temperature reduced by 2°C). These commands are activated by the utility company and processed by the energy regulator (Power manager). Check with your utility company whether your electrical system is equipped with this type of device.



MORNING FUNCTION

This function is activated by turning the knob to select functions on the letter M. If the green LED flashes, it means that the time must be set. To set the time, press the button for about 8 seconds, after the first beep continue to hold and release after the second beep. The time is set by pressing the button as many times as the time to be set (e.g. press seven times for 7:00 or twenty times 20:00 press). On confirmation of the operation, after about 5 seconds, the LED performs a number of flashes equal to the set time and emits a new beep. After performing this operation, the LED will turn orange (if the control is in the ECO time range), red or green if it is in the comfort range.

The Comfort temperature is repeated in the days, every morning from 4h to 8h. After 8h the device automatically turns to economy mode.

WARNING: You must reset the time after a power cut.

EVENING FUNCTION

This function is activated by turning the knob to select functions on the letter S. If the green LED flashes, it means that the time must be set. (SEE PROGRAMMING THE MORNING FUNCTION). After performing this operation, the LED will turn orange (if the control is in the ECO time range), red or green if it is in the comfort range.

The Comfort temperature is repeated in the days, every morning from 16h to 20h. After 20h the device automatically turns to economy mode.

WARNING: You must reset the time after a power cut.

MORNING AND EVENING FUNCTION

This function is activated by turning the knob to select functions on the letter M+S. If the green LED flashes, it means that the time must be set. (SEE PROGRAMMING THE MORNING FUNCTION). After performing this operation, the LED will turn orange (if the control is in the ECO time range), red or green if it is in the comfort range.

The Comfort temperature is repeated in the days, every morning from 4h to 8h and from 16h to 20h.

After 8h and after 20h the device automatically turns to economy mode.

WARNING: You must reset the time after a power cut.

2H FUNCTION (BOOST)

To heat a room faster or to dry towels, it is possible to activate the 2h function.

The function is activated by turning the function selection knob to the symbol 2h.

The unit will heat at its maximum power for a period of 2 hours, at this stage, it is not possible to adjust the room temperature. A 35°C cap is included however. When this threshold is exceeded, the "child" protection is automatically triggered.

TOWEL WARMER FUNCTION

The function is activated by turning the function selection knob to the position. 

This particular function allows towels to be heated, saving about 60% of the energy.

The device is equipped with smart sensors that allow you to hear in which area the towel is applied, this allows you to dry the cloth and keep the rest of the towel warmer at a low temperature. In this function, the temperature control is still active.

It is recommended to position the temperature control knob to the maximum, avoiding interruptions.

To achieve maximum efficiency of this system, it is recommended to place the towel under electronic command. As per the diagram.

In all other positions, the energy saving is less than 60%.

This function is not effective in the case of towels positioned on the uprights.

KEYPAD LOCK FUNCTION

The keypad lock is activated by pressing the button panel for about 5 seconds-

Once the lock is activated, the command beeps.

Once the lock is activated, the command stores the active function, and even if it is subsequently changed, it maintains the chosen condition. To deactivate the lock, simply press for another 5s until it beeps.

STANDBY FUNCTION

Turning the function selection knob anticlockwise until it stops brings the card into the standby state, evidenced by a long 2 second beep. In this mode the unit will no longer heat, will turn off every light signal, but is still powered by the electric voltage.

